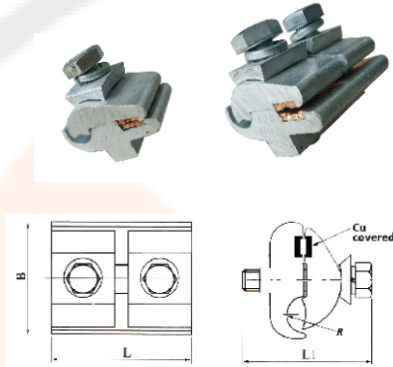


B603 Parallel groove clamp PG603



Parallel Groove Clamp Multiple Center Bolts (PG 480)

Use for aluminum conductor to copper conductor connection.

TYPE	PRODUCT RANGE (sqmm)		DIMENSION (mm)		
	AL	Cu	L	B	R
PG480-0A	6-50	2.5-10	25	40	6
PG480-1B	16-50	2.5-35	40	40	6
PG480-2B	16-120	6-35	40	43	7

A= 2 bolts ; B= 3 bolts .