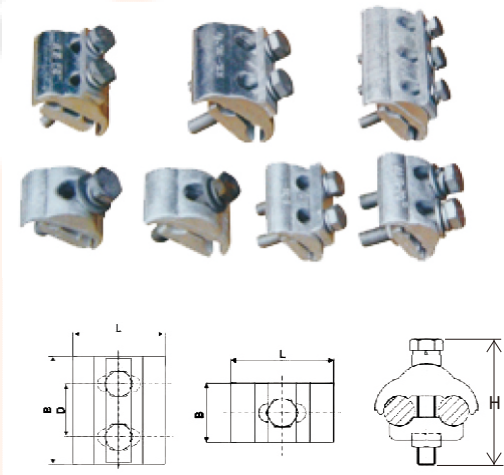


B600 Parallel groove clamp PG660 PG661

Aluminum Parallel-Groove Clamp (PG 660)

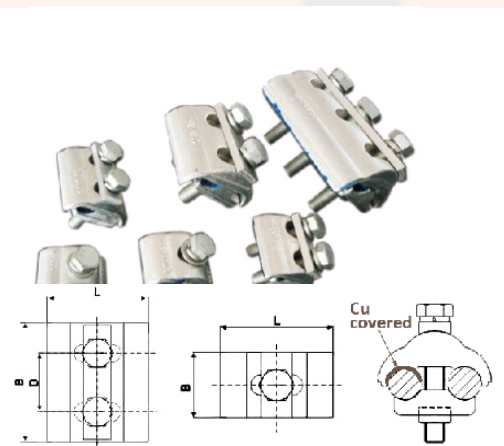
Use for aluminum to aluminum conductor



TYPE	PRODUCT RANGE (sqmm)	DIMENSION (mm)				Bolt No.
		B	L	H	M	
PG660-11	16~70	25	35	40	8	1
PG660-12	16~150	30	47	45	8	1
PG660-21	16~35	34	28	35	8	2
PG660-22	16~70	40	42	45	8	2
PG660-23	16~150	50	45	50	8	2
PG660-24	25~185	62	58	60	10	2
PG660-31	16~70	60	42	45	10	3
PG660-32	16~150	75	45	50	10	3
PG660-33	25~240	93	58	60	10	3
PG660-34	35~300	105	65	70	10	3

Be-Metalic Parallel-Groove Clamp (PG 661)

Use for aluminum to copper conductor



TYPE	PRODUCT RANGE (sqmm)		DIMENSION (mm)				Bolt No.
	RUN-Cu	TAP-AL	B	L	H	M	
PG661-11	6~50	16~70	25	42	40	8	1
PG661-12	10~95	25~150	30	47	45	8	1
PG661-21	6~50	16~70	40	42	45	8	2
PG661-22	10~95	25~150	50	46	50	8	2
PG661-23	25~185	35~200	64	58	60	10	2
PG661-31	6~50	16~70	45	42	40	10	3
PG661-32	10~95	25~150	55	47	45	10	3
PG661-33	25~185	35~240	93	58	60	10	3
PG661-34	35~240	35~300	105	65	70	10	3