

B

B115 INSULATED FASTEN CLAMP

PRODUCT DESCRIPTION:

PT x a/b(B)

PT= Piercing tap connector ; x= bolt number ; (B): toothless

a=max size of main conductor; b= max size of tap conductor.

Insulation piercing tap connector is T- connection of low voltage insulation wire service and cable branch connection for building distribution system.

PRODUCT RANGE:

Type	Main Conductor (mm ²)	Tap Conductor (mm ²)
PT 1 25/25	16-25	4-25
PT 1 70/25	35-70	6-25
PT 2 70/70	35-70	35-70
PT 1 95/50	35-95	4-50
PT 1 150/50	30-150	4-50
PT 2 150/50	70-150	4-50
PT 150/35	35-150	6-35

* toothless please add (B) behind the Type code when ordering.

example: PT 1 25/25(B), PT 1 70/25(B), PT 2 70/70(B), PT 1 95/50 (B), PT 1 150/50(B)
PT 2 150/150(B), PT 150/35(B).

USED MATERIALS:

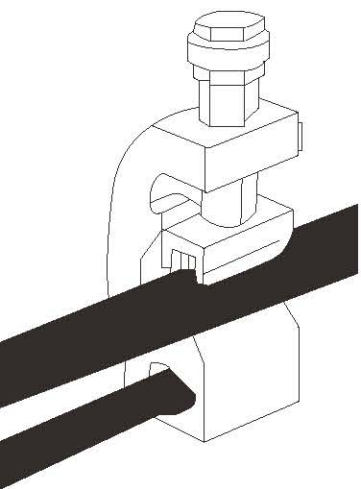
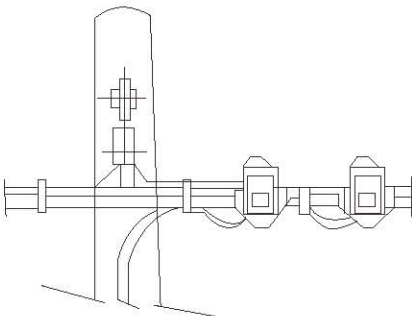
High intensity aluminum- alloy with PVC cover.

VARIANTS:

The product is manufactured and supplied in modification's as is showed upwards in PRODUCT RANGE.

STORAGE AND TRANSPORT:

Product do not have any specific requirements on storage. It is fire-resistant and it is not dangerous.



tooth type



toothless type
*(B)